

Branch Offices

AHMEDABAD

B-802, Iscon Elegance, Nr. Prahlad Nagar Corner,
Opp. Karnavati Club, S.G. Highway, Ahmedabad-380 051
Ph.: 079 - 66168835 | E-mail: ahmedabad@hplindia.com

BANGALORE

No.2D, IIInd Floor, Farah Winsford,
133, Infantry Road, Bangalore - 560 001
Ph.: 080-22863068/69
E-mail: bangalore@hplindia.com

BHUBANESWAR

N3-135, IRC Village, Nayabali, Behind
Old Sai Baba Temple, Bhubaneswar-751 012
Ph.: 0674-6538226 | E-mail: orissa@hplindia.com

CHANDIGARH

Plot No. 57, 5th Floor Industrial & Business Park,
Phase-1, Chandigarh - 160002
Ph.: 0172-2639157 | E-mail : chandigarh@hplindia.com

CHENNAI

"Amar Sindur" S-4, 2nd Floor, No.-43, Pantheon Road,
Egmore, Chennai-600 008
Ph.: 044-28551530, 28551537 | Fax : 044-42638243
E-mail: chennai@hplindia.com

COCHIN

1st Floor, A.K.S. Mahal Building, XL/7813J,
Achutha Warriar Lane, M.G.Road,Ernakulam,
Cochin-682 035 | Telefax : 0484-2354595
E-mail: cochin@hplindia.com

COIMBATORE

Designer Complex, Door No.130, C /2, 2nd Floor,
Dr. Nanjappa Road, Coimbatore - 641018
Ph.:0422-4393995 | E-mail : coimbatore@hplindia.com

DEHRADUN

09/4/6, 1st Floor, East Canal Road, (Near Doon
Defense Academy) Dehradun-248001
Ph.: 0135-2710567, 2710587
E-mail: Uttranchal@hplindia.com

GUWAHATI

Rajgarh Road, Opposite China Town
Restaurant Guwahati - 781 003
Ph.: 0361-2450889 | E-mail: guwahati@hplindia.com

HUBLI

9-10, 1st Floor, Vernekar Plaza, Desh Pande
Nagar, Hubli-580029
Ph.: 0836-4251463 | E-mail : hubli@hplindia.com

HYDERABAD

No. 7-1-58, flat No.403, 4th Floor, Concourse Building,
Green Lands Road, Hyderabad - 500 016
Ph.: 040-40035959 | E-mail: hyderabad@hplindia.com

INDORE

203, Millinda Manor 2 RNT Marg, Near Ravindra
Natya Grah, Indore- 452 001,
Ph.: 0731-4280525, 4225540
E-mail: Indore@hplindia.com

JAIPUR

512, 5th floor, Plot No. 8-9, Corporate Park,
Gopal Bari, Ajmer Road Jaipur - 302 001
Ph. : 0141-4021035 | E-Mail: jaipur@hplindia.com

JAMMU

Plot No.86 Yard No.6 Transport Nagar,
Jammu- 180006
E-mail: jammu@hplindia.com

KANPUR

17/14, 2nd Floor, Opposite Nanarao Park,
The Mall, Kanpur - 208 001 (U.P.)
Ph.: 0512-2316017 | E-mail: kanpur@hplindia.com

KOLKATA

69, Ganesh Chandra Avenue, India House
7th Floor, Block-C, Kolkata - 700 013
Ph.: 033-65394379 | E-Mail: calcutta@hplindia.com

LUCKNOW

1st Floor, Jain Building, 14/A5, Park Road
Hazratganj, Lucknow
Ph.: 0522-4021687 | E-Mail: lucknow@hplindia.com

LUDHIANA

698 - D, Model Town, Extn.,
Opp. silverstone Hotel, Ludhiana-141 003
Ph. : 0161-4062877 | E-Mail : ludhiana@hplindia.com

MUMBAI

2C/H, Rushabh Chambers 2nd Floor, Off-Makwana Road,
Near Rubi Hotel Marol Andheri East Mumbai - 400 059
Ph.: 022-61830810-20 Telefax: 022-28528181
E-mail: mumbai@hplindia.com

NAGPUR

Jagtap House, Plot No. 07, 1st Floor, Ganesh Gruh
Nirman Society, Near Ganesh Mandir, Ring Road,
Pratap Nagar, Nagpur - 440022,
Ph.: 0712-2222988 | E-mail: nagpur@hplindia.com

PATNA

Hem Plaza, 5th Floor - 510 Fraser Road,
Patna - 800001(Bihar)
Ph. : 09334697299 | E-mail: patna@hplindia.com

PUNE

Sunrise Skyline 3rd Floor, Plot No. 28/2 Scheme No.11B
Opp. MSEB Office Somwar Peth, Pune - 411 001
Ph. : 020-69200902 | E-mail: pune@hplindia.com

RAIPUR

1st Floor, Near Holy Heart School Chhattisgarh
College Road, Civil Line, Raipur (C.G.)-492 006
Ph.:0771-6541590 | E-mail : raipur@hplindia.com

RANCHI

203, Mahalaxmi Complex, Line Tank Road,
2nd Floor Ranchi - 834 001
Telefax : 0651-2206144 | E-mail : ranchi@hplindia.com

SILIGURI

1st Floor, Parasuna Bhawan, Ward No.13,
Udham Singh Sarani, Asram Para,
Siliguri-734001

VADODARA

409/410, Silver Oak Complex, Near Sainik Park Char Rasta,
Productivity Road, Akota, Vadodara - 390020 Gujarat
Ph.: 0265-2341747 Fax:0265-2352107
E-mail : baroda@hplindia.com

VIJAYAWADA

D.No.-29-37-135, 2nd Floor, G. R. Plaza, Eluru Road,
Beside Canara Bank, Vijayawada-520 002
Ph.: 0866-6622291 | E-mail : vijayawada@hplindia.com

VIZAG

B.K. Towers, 49-34-1/63, 3rd Floor Akka Yyapalem
Main Road, NH-5 Junction, Vizag-530 016 (A.P.)
Ph.: 0891-2794506 | E-mail : vizag@hplindia.com

Resident Office

Agartala	Balasore	Davangere	Jharsuguda	Moradabad	Silchar	Vapi
Agra	Belgaum	Durg	Jodhpur	Mysore	Surat	Varanasi
Allahabad	Berhampur	Goa	Kanyakumari	Nagercoil	Sholapur	Vellore
Anantpuram	Bhilai	Gorakhpur	Kolhapur	Nasik	Srinagar	
Aurangabad	Bhopal	Gulbarga	Kota	Patiala	Sambalpur	
Amravati	Bilaspur	Jabalpur	Madurai	Pondicherry	Tirupati	
Akola	Bijapur	Jabli	Malda	Rajkot	Trichy	
Angul	Calicut	Jamshedpur	Mangalore	Rourkela	Trivandrum	
Bareilly	Cuttack	Jalandhar	Meerut	Salem	Udaipur	



HPL Electric & Power Ltd

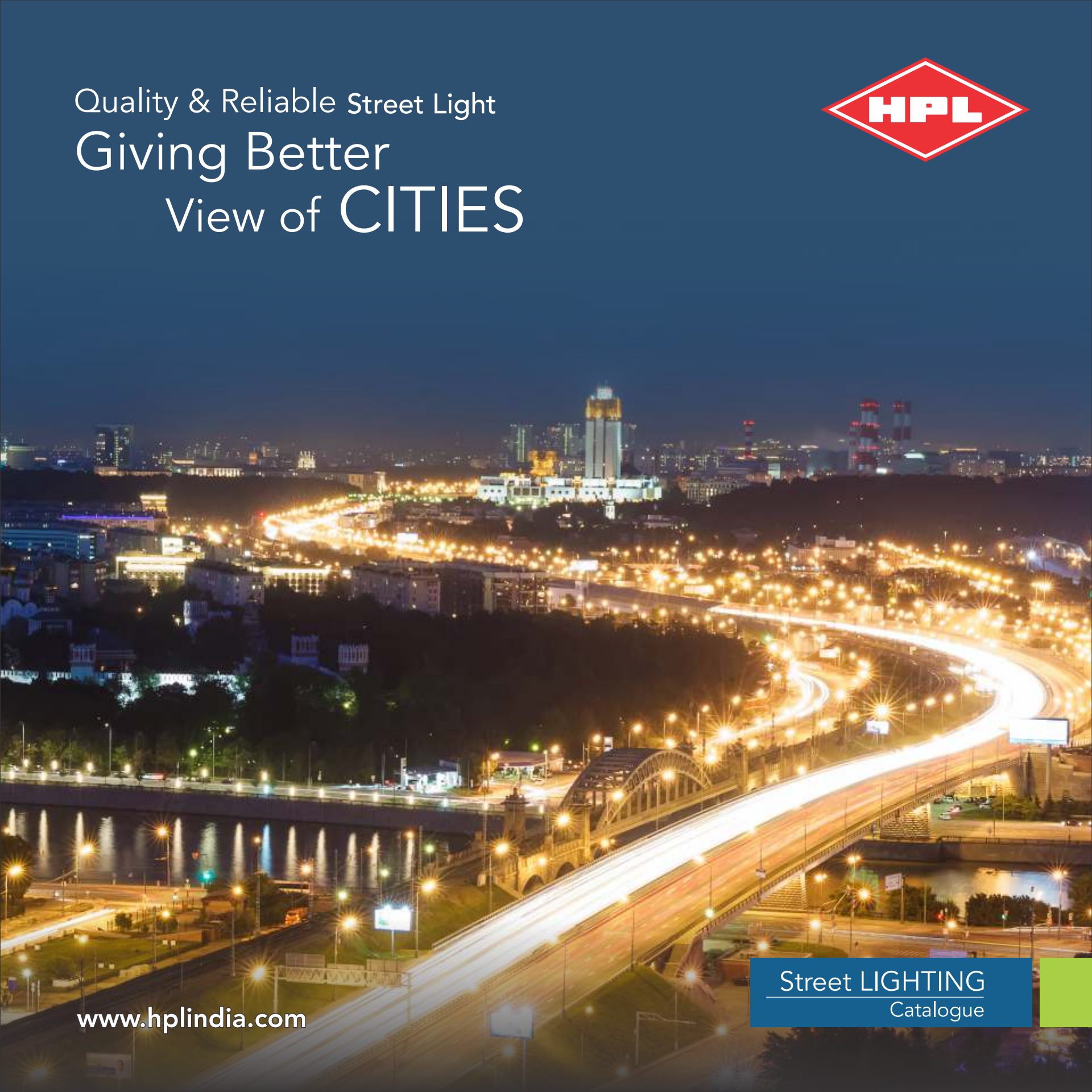
Corp. Office : Windsor Business Park, B-1D, Sector-10,
Noida, U.P. - 201301, INDIA. | Tel.: +91-120-4656300
Registered Office : 1/21, Asaf Ali Road, New Delhi - 110 002, INDIA.
E-mail : hpl@hplindia.com; enquiry@hplindia.com

Customer Care No. :
1800 419 0198

www.hplindia.com



Quality & Reliable Street Light
Giving Better
View of CITIES



Street LIGHTING
Catalogue

www.hplindia.com

Making Cities Live!

HPL has installed more than 3,00,000 of LED Street lights across the country and is Part of Smart City & many other prestigious projects

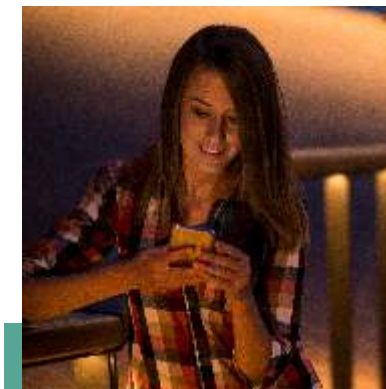


Safety & Security comes In



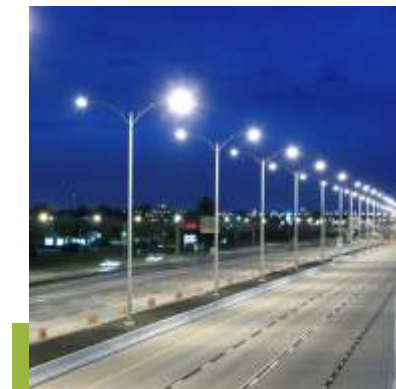
Safety

- More visibility for drivers, riders and pedestrians
- Gives Better appearance
- Helping in city Beautification



Security

- Illuminated surroundings
- Feelings of safety
- Reduction in accidents



Energy Efficient

- Save Energy
- Low Maintenance & Running Cost
- Environmental Friendly



Automation

- Automatic Switch ON/OFF
- Dimmer Option
- CCMS

Connect. Communicate. Control

CITY LIGHT is uncomplicated and gives you out-of-the-box, everything you need to setup and manage robust and reliable wireless street light networks with secure two-way communication for remote monitoring, data collection and control. Being dimmable and remotely configurable, CITY LIGHT can save huge energy without compromising brightness and visibility. This is designed and developed keeping future global requirement in mind.

Astronomical Time:

This is a calculated time forecast for Sunrise, Sunset, Dawn (Civil) and Dusk (Civil) of a particular place. This astronomical time depends on geological location (Latitude and Longitude) of the place and Gregorian calendar date. Astronomical timing changes as per Gregorian calendar date as solar inclination and position difference. For example in India sunrise happens earlier and sunset happens latter in summer compared to winter. The system follows this law of nature, to make street light ON when sun sets and OFF at sun rises

Smart Street Light Controller

The HPL street light controller is intended to manage operating within outdoor street lighting control system. The controller utilizes 6-LoWPAN communication standard over Sub 1 GHz wireless communication helping to monitor and control every individual luminary. The controller enables full control of a light source – managing lamp On/Off, power usage metering, diagnosing and reporting occurrences and malfunctions. This in turn enables implementation of algorithms to significantly reduce power usage and reduce servicing costs.

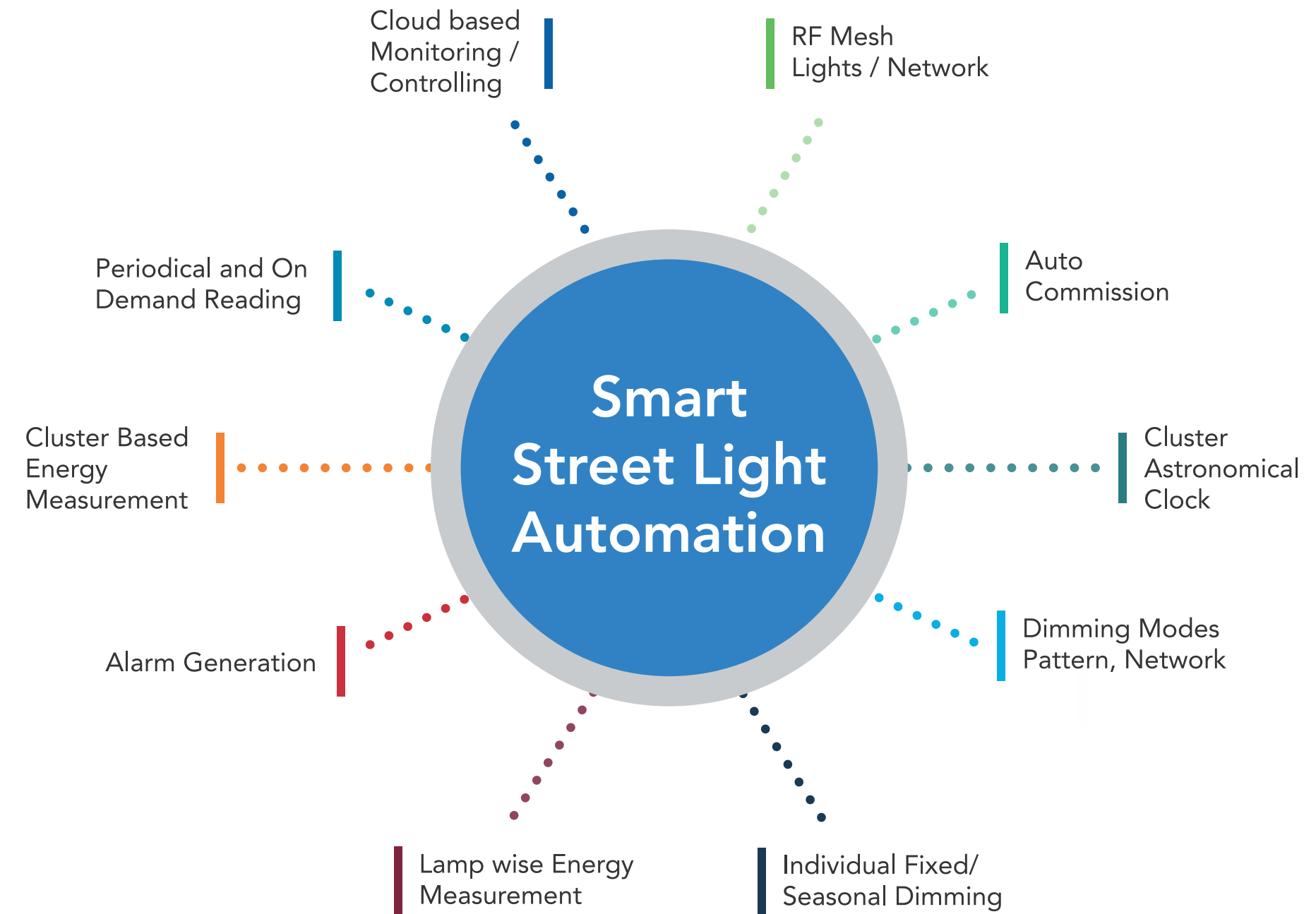
The controller features a very powerful measurement module (energy and power active, power factor, burning hours) for managing the electrical characteristics of lamp.

6-LoWPAN standard wireless communication compatibility gives full flexibility in constructing RF networks and possibility of connection with gateway and central application.

Main Advantages

- Ability to Control each light independently.
- Ability to monitor each light power consumption independently
- Powerful measurement module (energy and power active and reactive, power factor, burning hours)
- Monitoring lamp status (malfunction detection and reporting) – lower servicing cost
- Flexible and centralized network structure – better functionality and reliability
- Installation at a lamp fixture

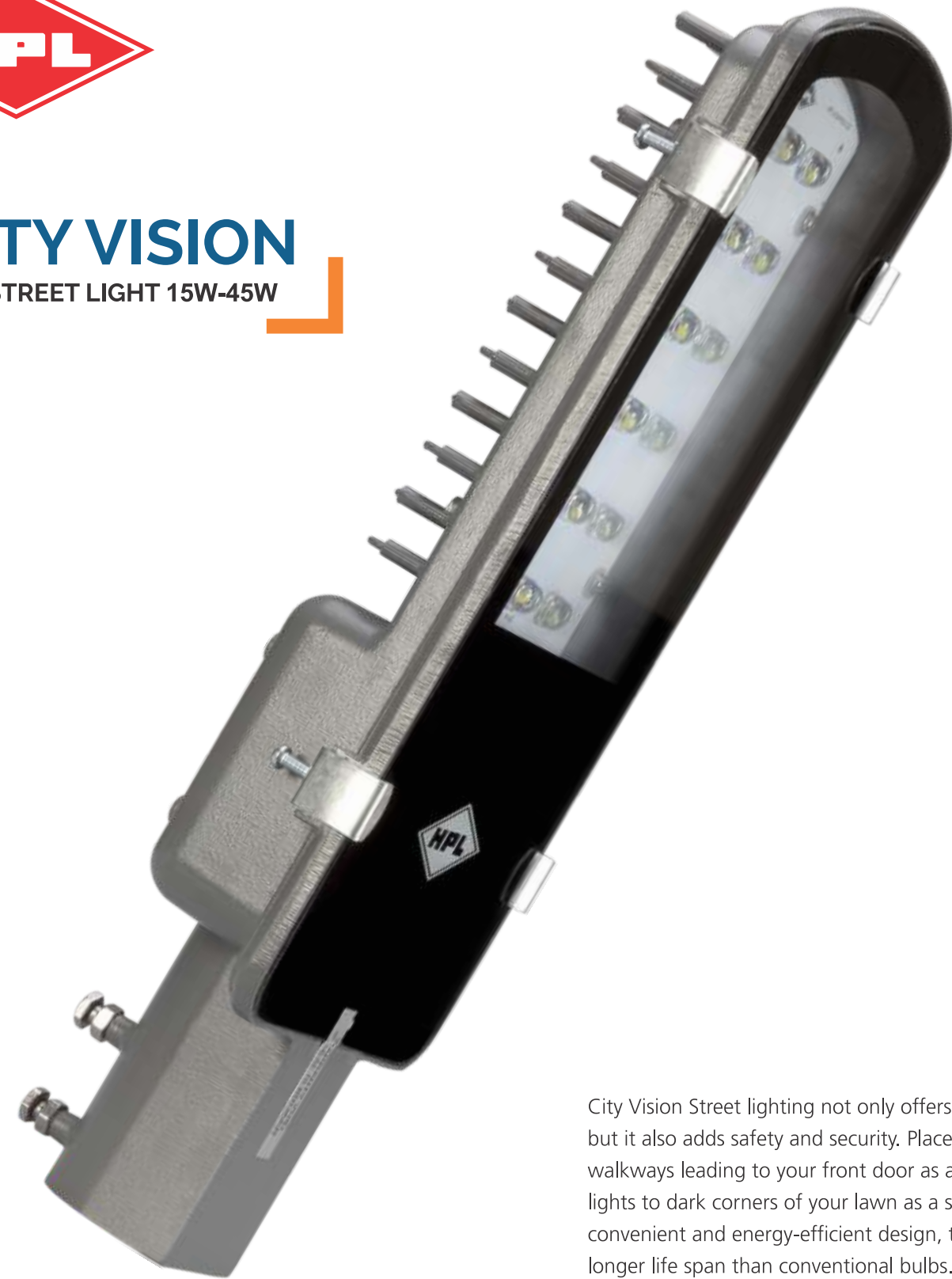
Smart Street Light Automation





CITY VISION

LED STREET LIGHT 15W-45W



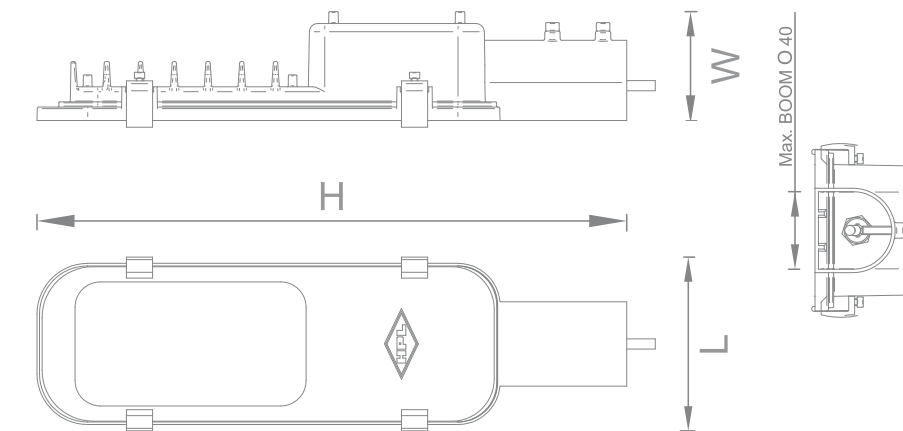
City Vision Street lighting not only offers a bright and finished look but it also adds safety and security. Place these bright designs along walkways leading to your front door as a safety feature, or add lights to dark corners of your lawn as a security feature. For a convenient and energy-efficient design, try LED Street lights. With a longer life span than conventional bulbs.

Features

- Housing** : High grade Aluminium pressure die-cast.
- Lamp Efficacy** : LED with more than 130 lm/w.
- Optics** : Wide beam angle of LED & desired spread using reflector & high quality lenses.
- Thermal** : Efficiently heat dissipation using high Conductive Compound & Housing.
- Protections** : Over Voltage Protection upto 300V, Surge protection upto 4kV, short circuit protection, under voltage protection, isolation upto 1.5kV
- Ingress Protection** : IP66
- Energy Saving** : Up to 60% compare to Conventional Street Light.

Fixture & LED Lamp conform to LM79 & LM80 respectively.

Line Diagram & Dimensions



Wattage	'L' Length	'W' Width	'H' Height
15W	95mm	65mm	350mm
18W	95mm	65mm	350mm
20W	95mm	65mm	350mm
25W	95mm	65mm	350mm
30W	95mm	65mm	350mm
40W	160mm	85mm	395mm
45W	160mm	85mm	395mm

Applications

- City Roads / Highways
- Periphery / Security Lighting
- Industry & Office Campuses
- Parking Areas
- Parks & Gardens.



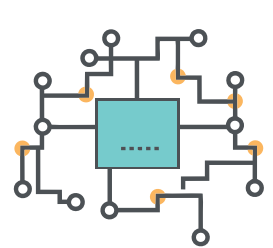


Central Control and Monitoring System (CCMS)

The HPL CCMS System is heart of street lighting system. It is intended to manage operating within outdoor street lighting control system. It utilizes 6-LoWPAN communication standard over Sub 1 GHz wireless communication helping to monitor and control every individual luminary. It utilizes or supports multiple Broadband communication network connectivity over GSM/GPRS, Ethernet and Wi-Fi for server end connectivity.

CCMS Entities

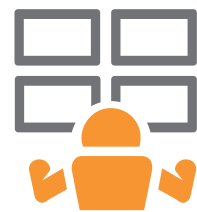
1. Gateway
2. Cluster Meter
3. Surge Protection Device
4. Input and Output Switchgear
5. Change – Over
6. Dual Chamber SMC enclosure



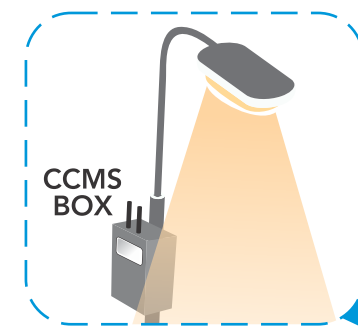
Electrical Design



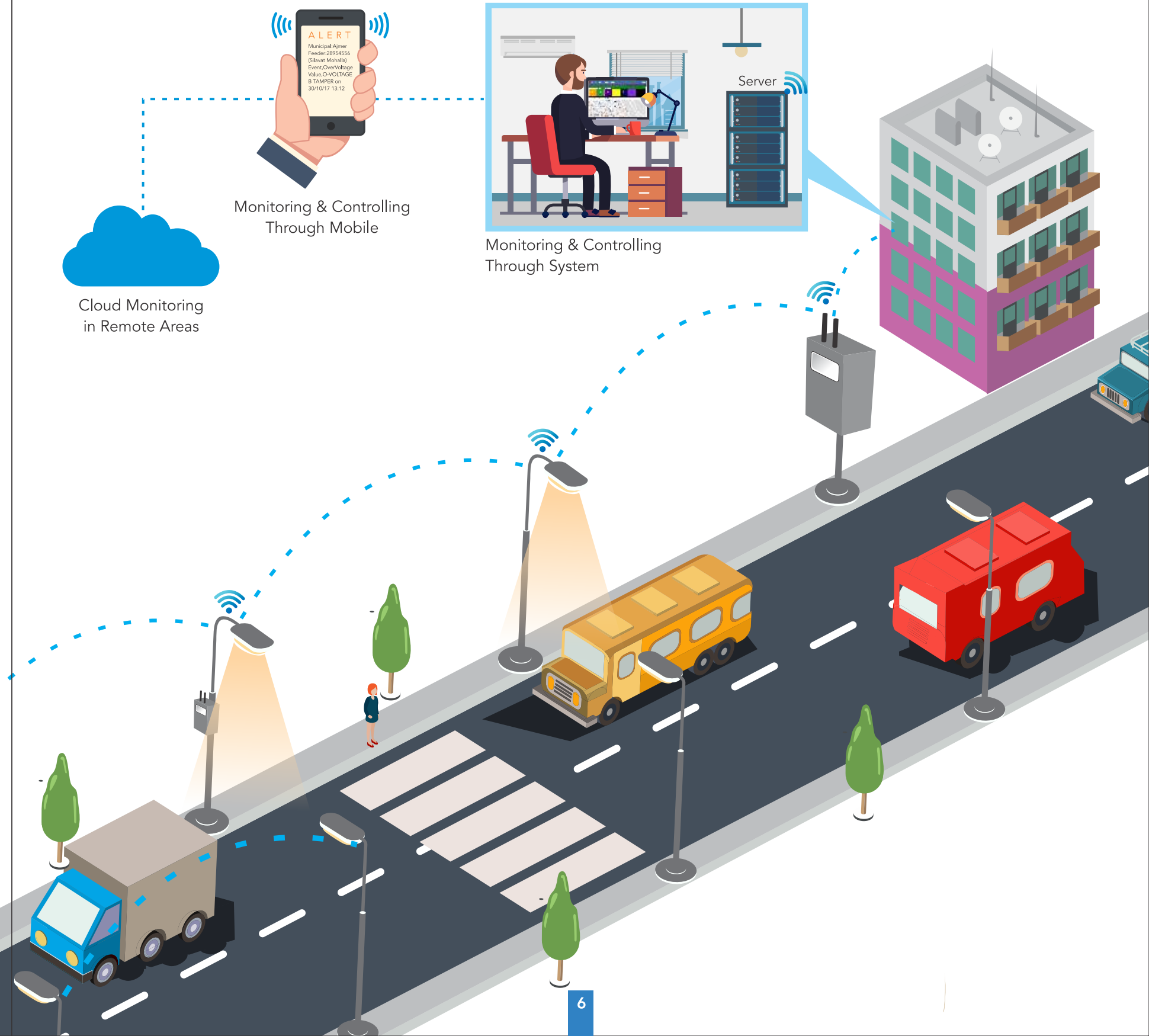
Networking



Monitoring & Controlling



CCMS BOX



Monitoring & Controlling Through Mobile

Monitoring & Controlling Through System

Cloud Monitoring in Remote Areas



CITY VISION

LED STREET LIGHT 60W-100W



City Vision LED streetlights deliver an environment friendly solution while bringing uncompromising brilliance in efficiency, performance, longevity & style. With a life span 5 times longer than that of an average lamp, LED streetlight is a special range of application oriented LED products based on Optics, Power and Thermal Management



Features

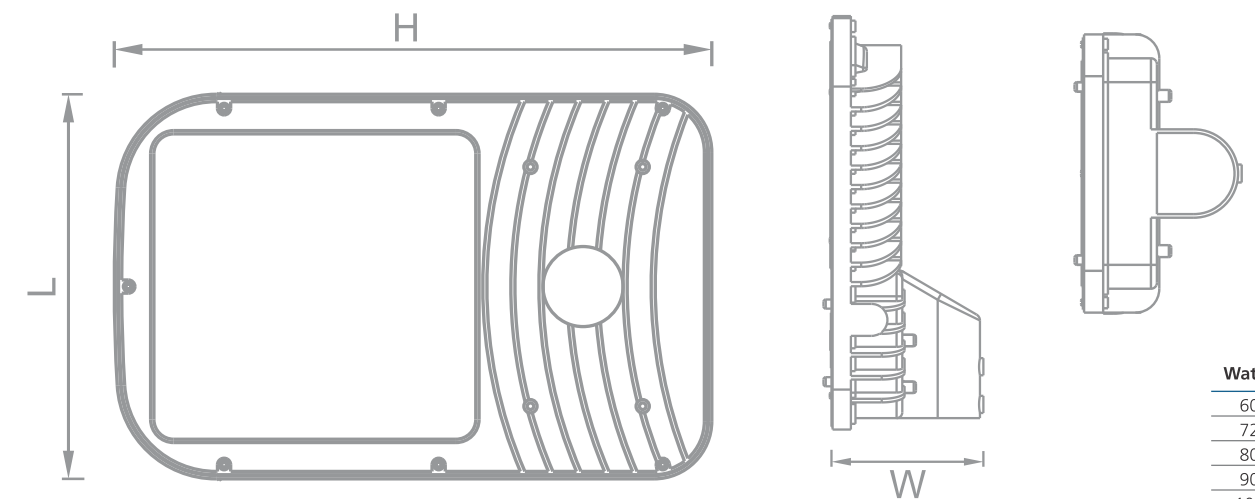
- Housing** : High grade Aluminium pressure die-cast.
- Lamp Efficacy** : LED with more than 130 lm/w.
- Optics** : Wide beam angle of LED & desired spread using reflector & high quality lenses.
- Thermal** : Efficiently heat dissipation using high Conductive Compound & Housing.
- Protections** : Over Voltage Protection upto 300V, Surge protection upto 4kV, short circuit protection, under voltage protection, isolation upto 1.5kV
- Ingress Protection** : IP66
- Energy Saving** : Up to 60% compare to Conventional Street Light.

Fixture & LED Lamp conform to LM79 & LM80 respectively.

Applications

- City Roads / Highways
- Periphery / Security Lighting
- Industry & Office Campuses
- Parking Areas
- Parks & Gardens.

Line Diagram & Dimensions



Wattage	'L' Length	'W' Width	'H' Height
60W	235mm	75mm	365mm
72W	235mm	75mm	365mm
80W	235mm	75mm	365mm
90W	235mm	145mm	365mm
100W	235mm	145mm	365mm



CITY VISION

LED STREET LIGHT 120W-200W



The New HPL City Vision Street Light with its unrivalled lumen output for highways lighting and High performance expands the application range.

HPL City Vision series the perfect to fit for a Highways applications. its helping to improve the economic value for development & municipalities authorities

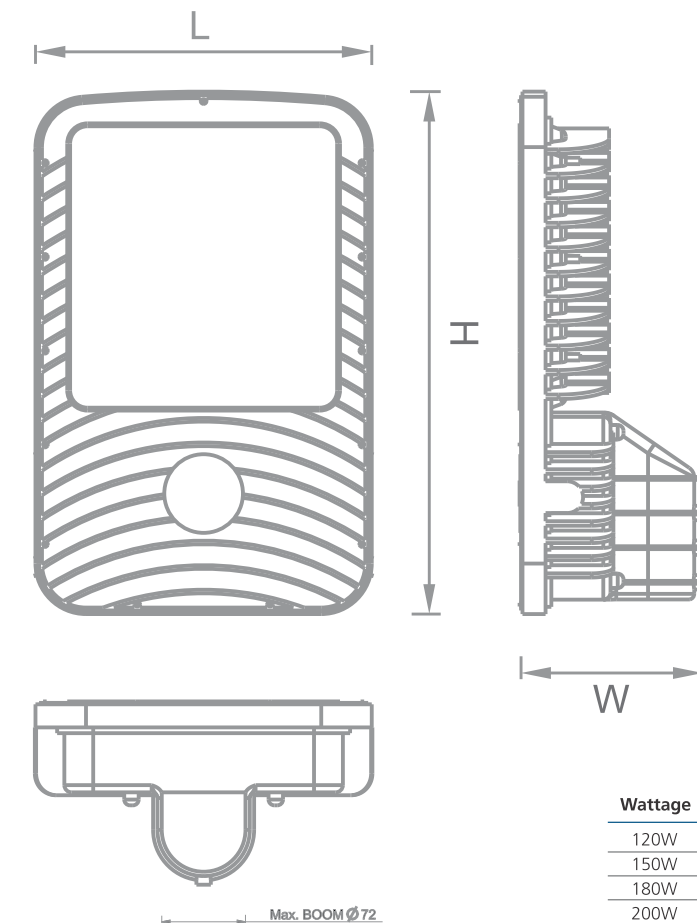


Features

- Housing** : High grade Aluminium pressure die-cast.
- Lamp Efficacy** : LED with more than 130 lm/w.
- Optics** : Wide beam angle of LED & desired spread using reflector & high quality lenses.
- Thermal** : Efficiently heat dissipation using high Conductive Compound & Housing.
- Protections** : Over Voltage Protection upto 300V, Surge protection upto 4kV, short circuit protection, under voltage protection, isolation upto 1.5kV
- Ingress Protection** : IP66
- Energy Saving** : Up to 60% compare to Conventional Street Light.

Fixture & LED Lamp conform to LM79 & LM80 respectively.

Line Diagram & Dimensions



Applications

- City Roads / Highways
- Periphery / Security Lighting
- Industry & Office Campuses
- Parking Areas
- Parks & Gardens.

Wattage	'L' Length	'W' Width	'H' Height
120W	280mm	115mm	555mm
150W	280mm	115mm	555mm
180W	160mm	345mm	530mm
200W	160mm	345mm	530mm

Our Installations

BRTS, Bhopal



Ayodhya Bypass, Bhopal



Simhastha Kumbh, Ujjain



New Market Road BRTS, Bhopal



VIP Road, Bhopal



Polytechnic Square, Bhopal



Simhastha Kumbh, Ujjain



BRTS, Bhopal





SMART

Street Lighting Solution

with



Technical Specifications

Electrical	
Wattage	36W, 60W, 90W & 120W
Input Voltage	240V, 50Hz
Operating Voltage range	90V ~ 300V AV
Input Current	170 mA
Power Factor	≥0.9
Input Frequency	45 ~ 55 Hz
Driver Frequency	(=>) 85%

Optical	
Luminous Efficacy	100 lm/w (IS)
Color Temperature	Cool White (5700K ANSI)
CRI	<70

Safety	
Protection	Surge 4 kV & External 10 KV IP66

LED Life	>50,000 Hrs
Working Temperature	-10°C ~50°C 10%~90% RH

Features

- Automatic Lighting Control
- Fixed Turn On: 6PM & Turn Off: 6AM.
- Dimming Slot:-
 - 100% Light 6PM - 10PM
 - 60% Light 10PM - 12PM
 - 50% Light 12AM - 6AM

Applications

- City Roads / Highways
- Periphery / Security Lighting
- Industry & Office Campuses
- Parking Areas
- Parks & Gardens.